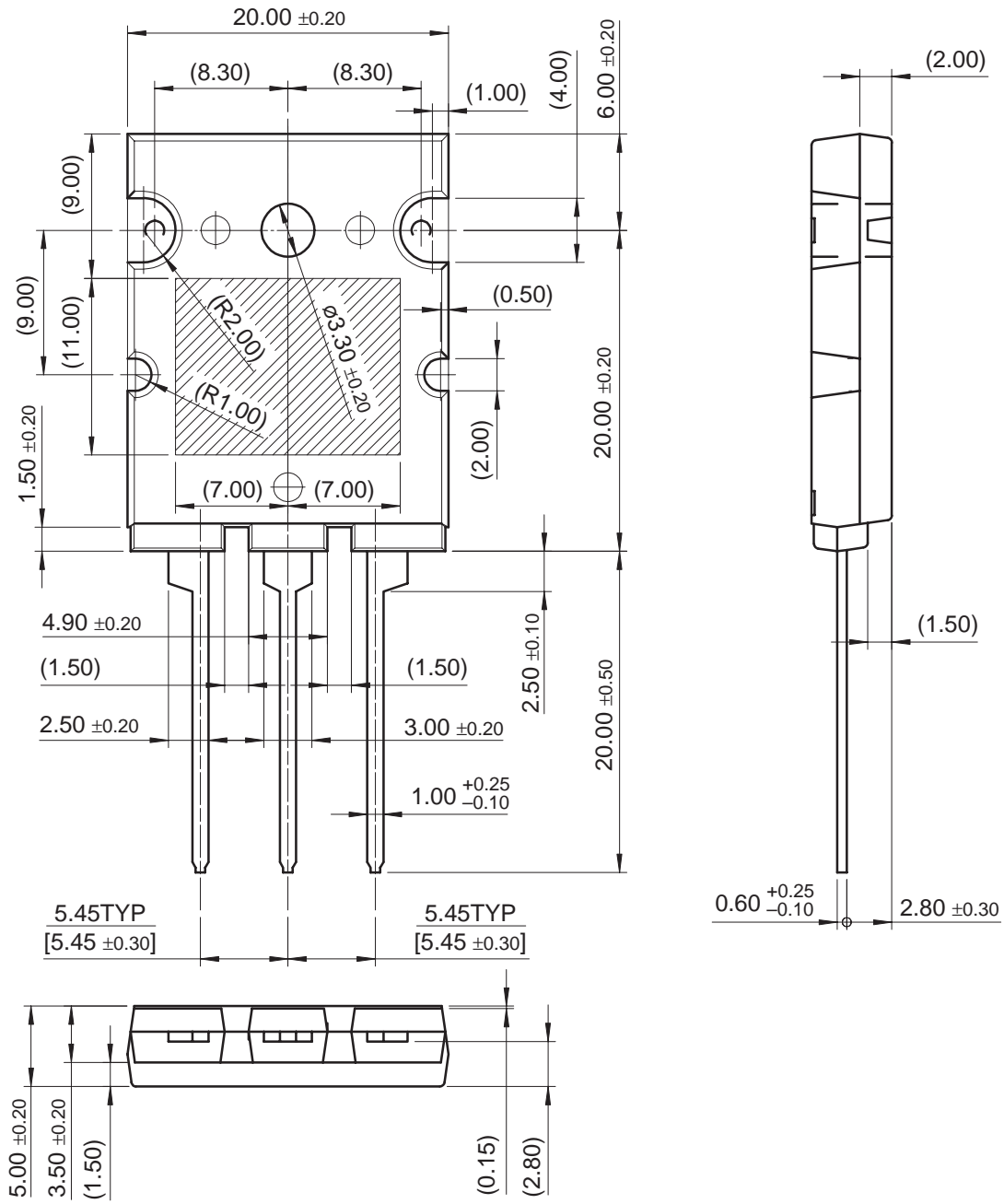


TO-264 Package Dimensions



TO-264 (FS PKG CODE AR)



Dimensions in Millimeters